

## SACB-4/ 8-L-SC

Order No.: 1680568



<http://eshop.phoenixcontact.de/phoenix/treeViewClick.do?UID=1680568>

Sensor/actuator box, with LED, with spring-cage terminal blocks and double-occupied slots

Commercial data	
EAN	4017918169756
Pack	1 Pcs.
Customs tariff	85366990
Weight/Piece	0.1085 KG
Catalog page information	Page 110 (PC-2007)

### Product notes

WEEE/RoHS-compliant since:  
01/24/2007



<http://www.download.phoenixcontact.com>  
Please note that the data given here has been taken from the online catalog. For comprehensive information and data, please refer to the user documentation. The General Terms and Conditions of Use apply to Internet downloads.

### Technical data

General data	
Nominal voltage $U_N$	24 V DC
Max. operating voltage $U_{max}$	30 V DC
Max. current carrying capacity per path	2 A
Current carrying capacity per slot	4 A

SACB total current	12 A
Operating current of the indicator elements	≤ 5 mA
Number of positions	5
Number of slots	4
Degree of protection	IP65/IP67
Ambient temperature (operation)	-25 °C ... 75 °C
Sensor/actuator connection system	M12 female connector

#### Local diagnostics function

Local diagnostics	Supply voltage per module LED green
	Status display I/O Yellow LED

#### Master cable data

Type of connection	Spring-cage conn.
Stripping length	10 mm
Min. cable diameter	6.5 mm
Max. cable diameter	9.5 mm

#### Insulation material

Inflammability class acc. to UL 94	V0
------------------------------------	----

#### Certificates / Approvals

##### Approval logo



#### CUL

Nominal voltage $U_N$	24 V
AWG/kcmil	22-16

#### UL

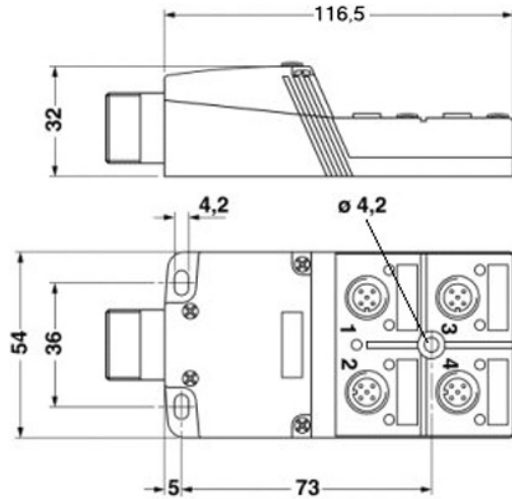
Nominal voltage $U_N$	24 V
AWG/kcmil	22-16
Certification	CUL, GOST, UL

### Accessories

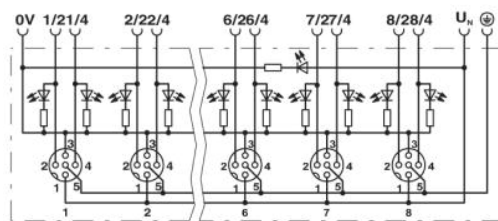
Item	Designation	Description
<b>Grommet</b>		
1680377	SACB-D PG 13,5 (4,0-6,5) YE	Rubber seal for Pg screw connection 13.5, for conductor cross section 4.0...6.5 mm
1680380	SACB-D PG 13,5 (6,5-9,5) BK	Rubber seal for Pg screw connection 13.5, for conductor cross section 6.5...9.5 mm
1680393	SACB-D PG 13,5 (9,0-13,0) RD	Rubber seal for Pg screw connection 13.5, for conductor cross section 9.0...12.0 mm
<b>Marking</b>		
2809128	ZBN 18:UNBEDRUCKT	Unprinted marker labels, strips with 5 labels for individual labeling with M-PEN or CMS system, for terminal block width: 17.5 mm, color: White
<b>Sealing cap</b>		
1680539	PROT-M12	An M12 screw plug for the unoccupied M12 sockets of the sensor/ actuator cable, boxes and flush-type connectors
<b>Tools</b>		
1208432	SAC BIT M12-D15	Nut to mount SAC M12 cables and M12 QUICKCON connectors, for 4 mm hexagonal screwdriver
1208445	SACC BIT M12-D20	Nut for assembling SACC M12 plug-in connectors, for 4 mm hexagonal screwdriver
1206463	SZK PZ2	Screwdriver, suitable for Phillips screws Pozidriv/Supadriv, size: 2
1208429	TSD 04 SAC	Torque screwdriver, with preset torque of 0.4 Nm and 4 mm hexagonal drive

## Drawings

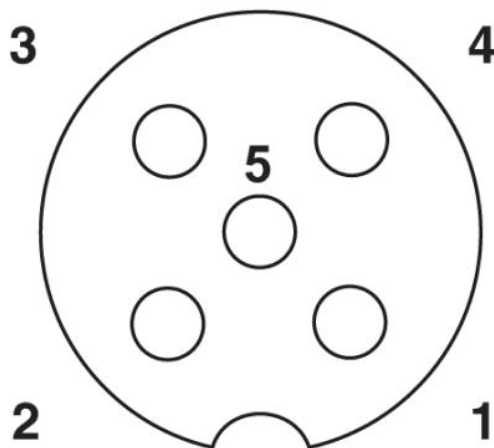
### Dimensioned drawing



### Circuit diagram



### Schematic diagram



M12 slot, socket, 5-pos.

**Address**

PHOENIX CONTACT GmbH & Co. KG  
Flachsmarktstr. 8  
32825 Blomberg, Germany  
Phone +49 5235 3 00  
Fax +49 5235 3 41200  
<http://www.phoenixcontact.de>



© 2008 Phoenix Contact  
Technical modifications reserved;